

TAKAMIYA LAB.

[Integrated Power Management]

Centre for Interdisciplinary Research on Micro-Nano Methods (CIRMM)

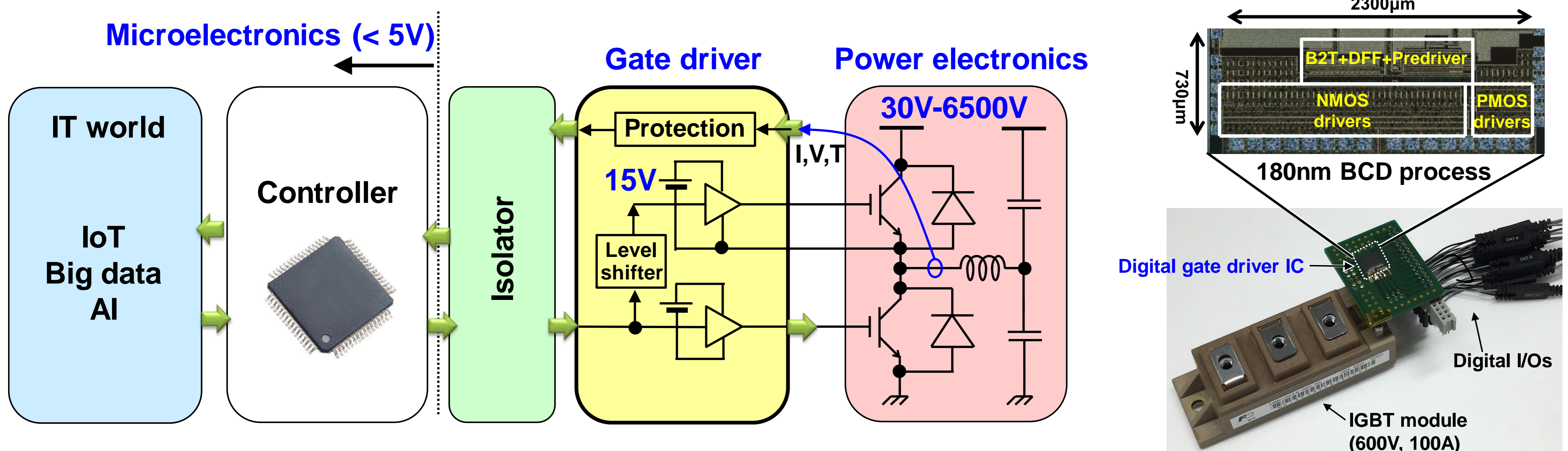
Integrated Power Management

Department of Electrical Engineering and Information Systems

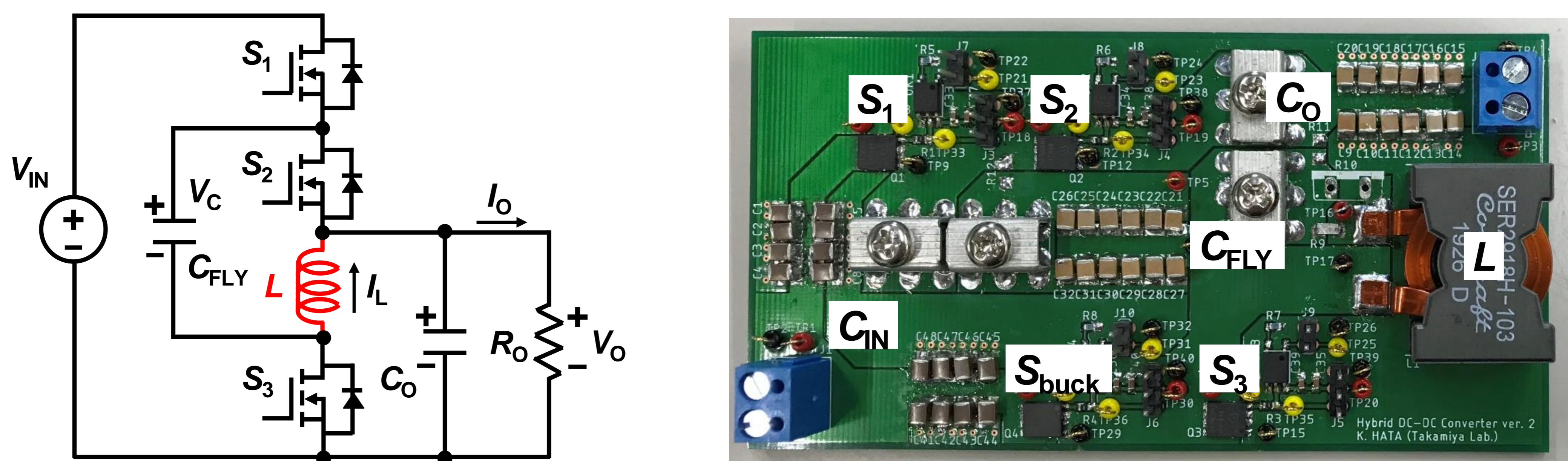
<http://icdesign.iis.u-tokyo.ac.jp/>

The research focus is the integrated power management covering the wide power range from nW for IoT nodes to kW for power electronics.

Digital Gate Driver IC for Power Devices



Hybrid DC-DC Converter



Wireless Powering

